



Jas Enterprises

An ISO 9001:2008 Certified Company

60, Shreenathji Estate, Panna Estate Road, Rakhial, Ahmedabad 380023 Gujarat India

Phone: - 91-79-22743454, 55 Fax:-91-79-22745062

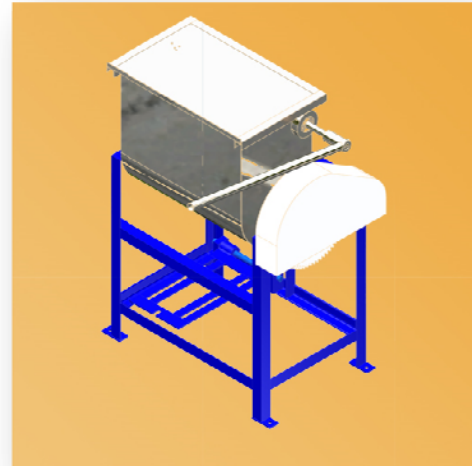
E mail: - [info@jasenterprise.com](mailto:info@jasenterprise.com)

<http://www.jasenterprise.com> or <http://www.pulveriser.co.in> or <http://www.pulverizerindia.com>

## Paddle Mixer

Excellent mixing results are achieved in short time, batch after batch. Slow and gentle, the twin paddle or ribbon mixer also saves you installation cost, space energy cost. The mixer provides... homogeneous mixing, gentle mixing, low maintenance, minimum heat generation etc.

Paddle Style mixers are specially designed to scoop, lift and tumble materials in a gentle, but thorough mixing action. While being mixed, the material travels in a three dimensional "figure 8" pattern. The material is constantly being pulled from the ends of the mixer to the middle of the "figure 8" where the most aggressive mixing is taking place. This unique paddle design is ideal for mixing solids or liquids of various particle size, density and viscosity. The gentle scooping action is ideal for blending fragile ingredients such as nuts or fiberglass strands. Paddle mixers work effectively when filled to as little as 20% of rated capacity, thus allowing flexibility of batch sizes. Paddle style agitators allow easier access for cleaning between batches.



## Paddle Mixer's Feature

- Unloading is faster and clean out more thorough due to tilted tank.
  - Required electric motor is mounting on hinges thus whenever v belts are loose then it will tilting easily.
  - Sizes from 150 to 6000 liter mixers
  - Faster mixing action, providing higher production rate.
  - Solid drive shaft and integral contour welded arms and paddles

## Constriction of Paddle Mixer

Body	The main body is made of Heavy Duty Stainless Steel / Mild Steel Sheet, with Top sliding type cover for easy opening and cleaning or for inspection. Every portion in the machine, which meets the International Standard.
Arms	Thick mild steel / Stainless steel machined plates mounted on main shaft.
Bearings	Best Deep Groove Ball Bering Ball Bearings in cast iron housing with suitable Grease Cups for lubrication.
Gears	Cast iron hob cut spur gear for long life.
Lubrication	A bearing are provide with Grease Cup for Lubrication thus its give long life of bearings and reduce fiction losses.

©Jas Enterprises, All Rights Reserved. ([Terms of Use](#))

Developed and Managed by Jas Enterprises



Jas Enterprises  
An ISO 9001:2008 Certified Company  
60, Shreenathji Estate, Panna Estate Road, Rakhial, Ahmedabad 380023 Gujarat India  
Phone: - 91-79-22743454, 55 Fax:-91-79-22745062  
E mail: - [info@jasenterprise.com](mailto:info@jasenterprise.com)

<http://www.jasenterprise.com> or <http://www.pulveriser.co.in> or <http://www.pulverizerindia.com>

## Application of Paddle Mixer

**Paddle Blenders & Pug Mixers** are design for batch type operation for the use of various industries in mixing and blending of Foodstuff, poultry feed, chemicals, cattle feed pharmaceuticals, dough of vermicelli, noodle, etc...

## Available models of Paddle Mixer

Model Mo	Required H.P.	Capacity Per Batch
Jas-1015	1.5 or 2	10 to 15 Kg.
Jas-1016	2 or 3	30 to 35 Kg.
Jas-1017	3 or 5	40 to 50 Kg.
Jas-1018	5 or 7.5	50 to 65 Kg.